

Address: Building 2th, Xinan Second Industrial Zone, Shenzhen, Guangdong, China. 518100
 Website: www.sunul.com E-mail: Inquiry@SunuL.com Phone: +86 755 3394 2898

Plastic Housing Type Monitor

7" Plastic Monitor (16:9)

Model:	MP-0740
Panel:	7 inch
Resolution:	1024x600
Brightness:	300 nits
Contrast:	800:1
Angle:	75/75/70/70
Dimension:	182x130x35 mm
Language:	En,De,Fr,Sp,Ru,Pt,It
Inputs:	VGA/AV/BNC/HDMI/USB x1
Touch:	Optional capacitive or resistive
Power:	12V, 1A
Mount:	VESA 75x75, Desktop stand
N.W:	0.8KG
G.W:	1.0KG



8" Plastic Monitor (4:3)

Model:	MP-0848
Panel:	8 inch
Resolution:	1024x768
Brightness:	250 nits
Contrast:	800:1
Angle:	75/75/70/70
Dimension:	198x162x35 mm
Language:	En,De,Fr,Sp,Ru,Pt,It
Inputs:	VGA/AV/BNC/HDMI/USB x1
Touch:	Optional capacitive or resistive
Power:	12V, 1.5A
Mount:	VESA 75x75, Desktop stand
N.W:	1.2KG
G.W:	1.5KG



9.7" Plastic Monitor (4:3)

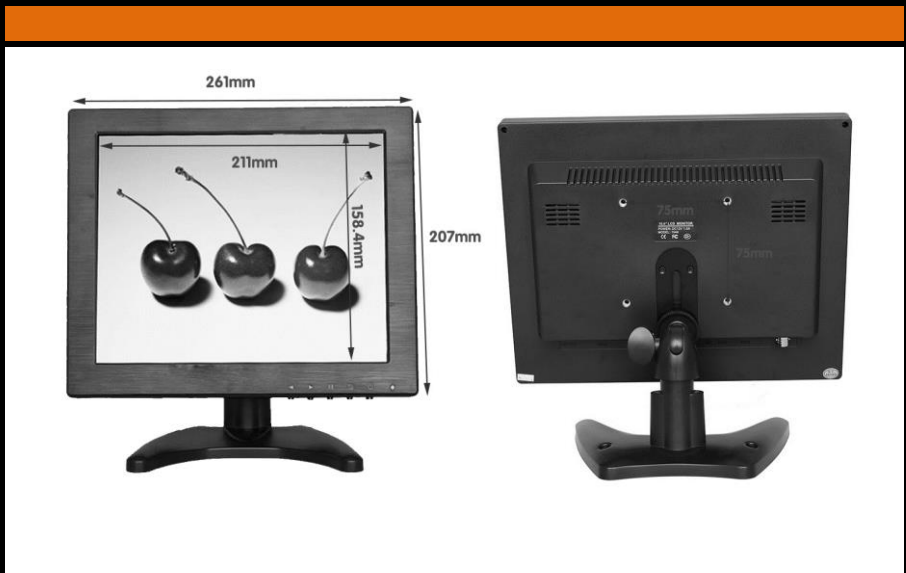
Model:	MP-0948
Panel:	9.7 inch
Resolution:	1024x768
Brightness:	300 nits
Dimension:	243x193x35 mm
Angle:	75/75/70/70
Language:	En,De,Fr,Sp,Ru,Pt,It
Inputs:	VGA/AV/BNC/HDMI/USB x1
Touch:	Optional capacitive or resistive
Power:	12V, 2A
Mount:	VESA 75x75, Desktop stand
N.W:	1.2KG
G.W:	1.5KG



10.1" Plastic Monitor (16:9)	
Model:	MP-1010
Panel:	10.1 inch
Resolution:	1280x800
Brightness:	250 nits
Dimension:	246x169x35 mm
Angle:	75/75/70/70
Language:	En,De,Fr,Sp,Ru,Pt,It
Inputs:	VGA/AV/BNC/HDMI/USB x1
Touch:	Optional capacitive or resistive
Power:	12V, 2A
Mount:	VESA 75x75, Desktop stand
N.W:	1.5Kg
G.W	2.0Kg



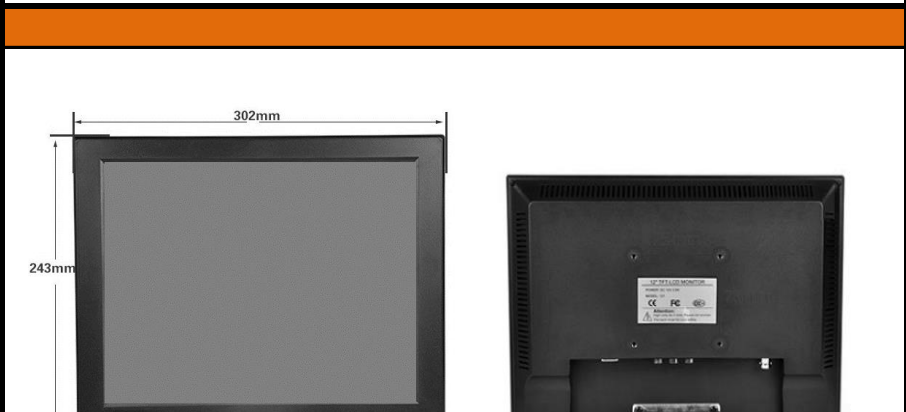
10.4" Plastic Monitor (4:3)	
Model:	MP-10400
Panel:	10.4 inch
Resolution:	800x600
Brightness:	250 nits
Dimension:	261x207x35 mm
Angle:	75/75/70/70
Language:	En,De,Fr,Sp,Ru,Pt,It
Inputs:	VGA/AV/BNC/HDMI/USB x1
Touch:	Optional capacitive or resistive
Power:	12V, 2A
Mount:	VESA 75x75, Desktop stand
N.W:	2.5KG
G.W	3.6KG



11.6" Plastic Monitor (16:9)	
Model:	MP-1166(MP-116H)
Panel:	11.6 inch
Resolution:	1366x768 (1920x1080)
Brightness:	300 nits
Dimension:	300x255x45 mm
Angle:	75/75/70/70
Language:	En,De,Fr,Sp,Ru,Pt,It
Inputs:	VGA/AV/BNC/HDMI/USB x1
Touch:	Optional capacitive or resistive
Power:	12V, 2A
Mount:	VESA 75x75, Desktop stand
N.W:	2.8KG
G.W:	3.5KG



12" Plastic Monitor (4:3)	
Model:	MP-1200 (MP-124H)
Panel:	12 inch
Resolution:	800x600 (1024x768)
Brightness:	300 nits
Dimension:	300x255x45 mm
Angle:	75/75/70/70
Language:	En,De,Fr,Sp,Ru,Pt,It
Inputs:	VGA/AV/BNC/HDMI/USB x1
Touch:	Optional capacitive or resistive



Power:	12V, 2A
Mount:	VESA 75x75, Desktop stand
N.W:	2.8KG
G.W:	3.5KG



15" Plastic Monitor (4:3)

Model:	MP-1548
Panel:	15 inch
Resolution:	1024x768
Brightness:	300 nits
Dimension:	350x275x45 mm
Angle:	75/75/70/70
Language:	En,De,Fr,Sp,Ru,Pt,It
Inputs:	VGA/AV/BNC/HDMI/USB x1
Touch:	Optional capacitive or resistive
Power:	12V, 2.5A
Mount:	VESA 75x75, Desktop stand
N.W:	4.3KG
G.W:	5.5KG



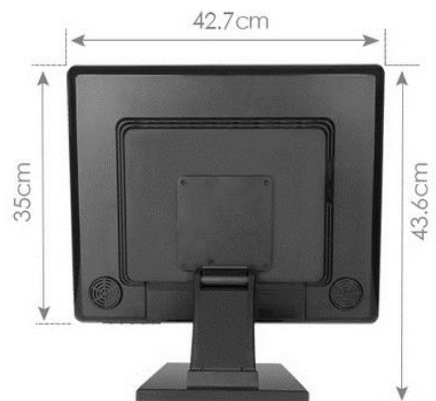
17" Plastic Monitor (4:3)

Model:	MP-1704
Panel:	17 inch
Resolution:	1280x1024
Brightness:	300 nits
Dimension:	383x314x45 mm
Angle:	75/75/70/70
Language:	En,De,Fr,Sp,Ru,Pt,It
Inputs:	VGA/AV/BNC/HDMI/USB x1
Touch:	Optional capacitive or resistive
Power:	12V, 2.5A
Mount:	VESA 75x75, Desktop stand
N.W:	4.8KG
G.W:	6.2KG



19" Plastic Monitor (4:3)

Model:	MP-1904
Panel:	19 inch
Resolution:	1280x1024
Brightness:	300 nits
Dimension:	430x350x45 mm
Angle:	75/75/70/70
Language:	En,De,Fr,Sp,Ru,Pt,It
Inputs:	VGA/AV/BNC/HDMI/USB x1
Touch:	Optional capacitive or resistive
Power:	12V, 3A
Mount:	VESA 75x75, Desktop stand
N.W:	5.5KG
G.W:	7.5KG



19" Plastic Monitor (16:10)

Model:	MP-1900
Panel:	19 inch
Resolution:	1440x900
Brightness:	300 nits
Dimension:	427x319x45 mm



Angle:	75/75/70/70
Language:	En,De,Fr,Sp,Ru,Pt,It
Inputs:	VGA/AV/BNC/HDMI/USB x1
Touch:	Optional capacitive or resistive
Power:	12V, 3A
Mount:	VESA 75x75, Desktop stand
N.W:	6.0KG
G.W:	8.0KG



21.5" Plastic Monitor (16:9)

Model:	MP-2150
Panel:	21.5 inch
Resolution:	1920x1080
Brightness:	300 nits
Dimension:	520x320x45 mm
Angle:	75/75/70/70
Language:	En,De,Fr,Sp,Ru,Pt,It
Inputs:	VGA/AV/BNC/HDMI/USB x1
Touch:	Optional capacitive or resistive
Power:	12V, 3A
Mount:	VESA 75x75, Desktop stand
N.W:	6.5KG
G.W:	8.5KG



Address: Building 2th, Xinan Second Industrial Zone, Shenzhen, Guangdong, China. 518100
 Website: www.sunul.com E-mail: Inquiry@SunuL.com Phone: +86 755 3394 2898

SUNUL

CUSTOMIZED INDUSTRIAL MONITORS