

# PRODUCT SPECIFICATION

## 11.6" TFT LCD MODULE

MODEL: T116192108-A0WMN-005 Ver:1.1



< ◇ > Preliminary Specification

< ◆ > Finally Specification

CUSTOMER'S APPROVAL	
CUSTOMER :	
SIGNATURE:	DATE:

APPROVED BY	PM REVIEWED	PD REVIEWED	PREPARED BY

---

---

**Revision History**

<b>Revision</b>	<b>Date</b>	<b>Originator</b>	<b>Detail</b>	<b>Remarks</b>
Ver 1.0	2017.12.20	ZFY	Initial Release	
1.1	2018.04.12	ZFY	Modify many details	P21/P22

---



---

## Table of Contents

No.	Item	Page
1.	General Description.....	4
2.	Module Parameter.....	4
3.	Absolute Maximum Ratings.....	4
4.	DC Characteristics .....	5
5.	Backlight Characteristic.....	5
5.1.	Backlight driving electrical Characteristic.....	5
5.2.	Backlighting circuit.....	5
6.	Optical Characteristics .....	6
6.1.	Optical Characteristics .....	6
6.2.	Definition of Response Time .....	6
6.3.	Definition of Contrast Ratio .....	7
6.4.	Definition of Viewing Angles .....	7
6.5.	Definition of Color Appearance.....	8
6.6.	Definition of Surface Luminance, Uniformity and Transmittance .....	8
7.	Block Diagram and Power Supply.....	9
8.	Interface Pins Definition .....	10
9.	AC Characteristics.....	12
10.	Quality Assurance .....	14
10.1	Purpose .....	14
10.2	Standard for Quality Test .....	14
10.3	Nonconforming Analysis & Disposition.....	14
10.4	Agreement Items .....	14
10.5	Standard of the Product Visual Inspection .....	14
10.6	Inspection Specification.....	15
10.7	Classification of Defects .....	19
10.8	Identification/marketing criteria.....	19
10.9	Packaging.....	19
11.	Reliability Specification.....	20
12.	Precautions and Warranty.....	21
12.1	Safety .....	21
12.2	Handling .....	21
12.3	Storage .....	21
12.4	Metal Pin (Apply to Products with Metal Pins) .....	21
12.5	Operation.....	22
12.6	Static Electricity .....	22
12.7	Limited Warranty .....	22
13.	Packaging.....	23
14.	Outline Drawing.....	24

---



---

## 1. General Description

The specification is a transmissive type color active matrix liquid crystal display (LCD) which uses amorphous thin film transistor (TFT) as switching devices. This product is composed of a TFT-LCD panel, driver ICs and a backlight unit.

## 2. Module Parameter

Features	Details	Unit
Display Size(Diagonal)	11.6"	
Display Mode	Transmissive /Normally black	
Resolution	1920 RGB x 1080	Pixels
View Direction	FULL View	Best Image
Module Outline	267.9(H) x 168.2(V) x 2.8(T) (Note1 )	mm
Active Area	256.32(H) x 144.18(V)	mm
Pixel Pitch	133.5(H) x 133.5(V)	um
Pixel Arrangement	RGB Vertical stripe	
Surface treatment	Antiglare	
Display Colors	16M	
Interface	EPD Interface	
With or without the touch panel	Without	
Operating Temperature	<b>-10~60</b>	°C
Storage Temperature	<b>-20~70</b>	°C
Weight	TBD	g

Note 1: Inclusive hooks, posts, FFC/FPC tail etc.

## 3. Absolute Maximum Ratings

$V_{SS}=0V, T_a=25^{\circ}C$

Item	Symbol	Min.	Max.	Unit
Digital Supply Voltage	LCD_VDD	-0.3	4.0	V
Storage temperature	$T_{STG}$	-20	70	°C
Operating temperature	$T_{OP}$	-10	60	°C

**Note 1:** If  $T_a$  below  $50^{\circ}C$ , the maximal humidity is 90%RH, if  $T_a$  over  $50^{\circ}C$ , absolute humidity should be less than 60%RH.

**Note 2:** The response time will be extremely slow when the operating temperature is around  $-10^{\circ}C$ , and the back ground will become darker at high temperature operating.

#### 4. DC Characteristics

Item	Symbol	Min.	Typ.	Max.	Unit	
Supply Voltage	LCD_VDD	3	3.3	3.6	V	
HPD High level output voltage	VOHHPD		LCD_VDD-0.1		V	
HPD Low level output voltage	VOLHPD		0		V	
Current Consumption All White	Logic	I <sub>CC+</sub> I <sub>IN</sub>	-	(212)	(364)	mA
	Analog					

#### 5. Backlight Characteristic

##### 5.1. Backlight driving electrical Characteristic

Item	Symbol	Min.	Typ.	Max.	Unit	Remark
Supply Voltage	V <sub>BL</sub>	7	12	21	V	
Current dissipation	I <sub>BL</sub>	-	(227)	-	mA	VBL=12V
Modulated light signal voltage	V <sub>PWMH</sub>	1.85	-	VDD	V	BL_PWM_DIM
	V <sub>PWML</sub>	0	-	0.7	V	
Brightness control duty ratio	Duty	1	-	100	%	
Brightness control pulse width	f <sub>PWM</sub>	200	-	2000	Hz	
LED-BL ON/OFF high voltage	V <sub>CNTH</sub>	1.8	3.3	3.6	V	Note1
LED-BL ON/OFF low voltage	V <sub>CNTL</sub>	0	-	0.5	V	Note1

Note1: BL\_ENABLE : high=BL turn on , low or open=BL turn off

##### 5.2. Backlighting circuit

TBD

## 6. Optical Characteristics

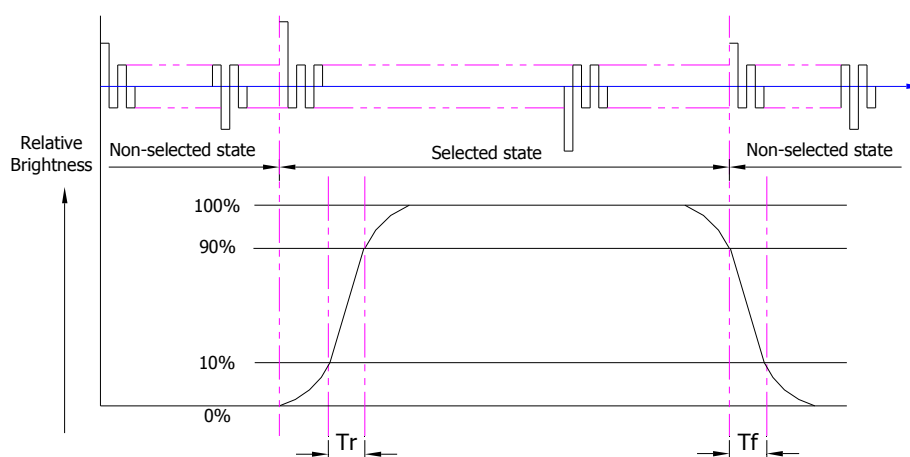
### 6.1. Optical Characteristics

Ta=25°C, LCD\_VCC=3.3V

	Item	Symbol	Condition	Specification			Unit	
				Min.	Typ.	Max.		
Backlight On (Transmissive Mode)	Luminance on TFT(VBL=12V)	Lv		(170)	(220)	-	cd/m <sup>2</sup>	
	Contrast ratio(See 6.3)	CR		(700)	(1000)	-		
	Response time (See 6.2)	TR+TF		-	25	-	ms	
	Chromaticity Transmissive (See 6.5)	Red	X <sub>R</sub>	Center CR≥10		TBD		
			Y <sub>R</sub>			TBD		
		Green	X <sub>G</sub>			TBD		
			Y <sub>G</sub>			TBD		
		Blue	X <sub>B</sub>			TBD		
			Y <sub>B</sub>			TBD		
	White	X <sub>W</sub>		TBD				
Y <sub>W</sub>			TBD					
Viewing Angle (See 6.4)	Horizontal	θ <sub>x+</sub>	Center CR≥10	(80)	(89)	-	Deg.	
		θ <sub>x-</sub>		(80)	(89)	-		
	Vertical	φ <sub>Y+</sub>		(80)	(89)	-		
		φ <sub>Y-</sub>		(80)	(89)	-		
	NTSC ratio				(72)		%	

### 6.2. Definition of Response Time

#### 6.2.1. Normally Black Type (Negative)

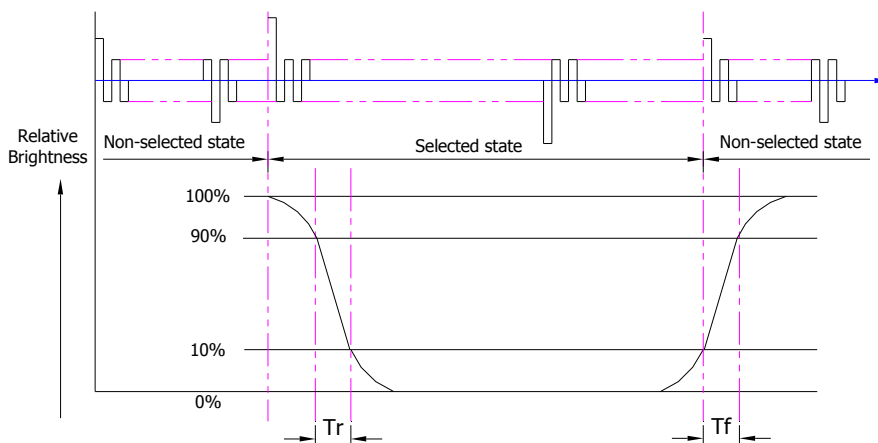


$T_r$  is the time it takes to change from non-selected stage with relative luminance 10% to selected state with relative luminance 90%;

$T_f$  is the time it takes to change from selected state with relative luminance 90% to non-selected state with relative luminance 10%.

Note: Measuring machine: LCD-5100

6.2.2. Normally White Type (Positive)



Tr is the time it takes to change from non-selected state with relative luminance 90% to selected state with relative luminance 10%;

Tf is the time it takes to change from selected state with relative luminance 10% to non-selected state with relative luminance 90%;

Note: Measuring machine: LCD-5100 or EQUI

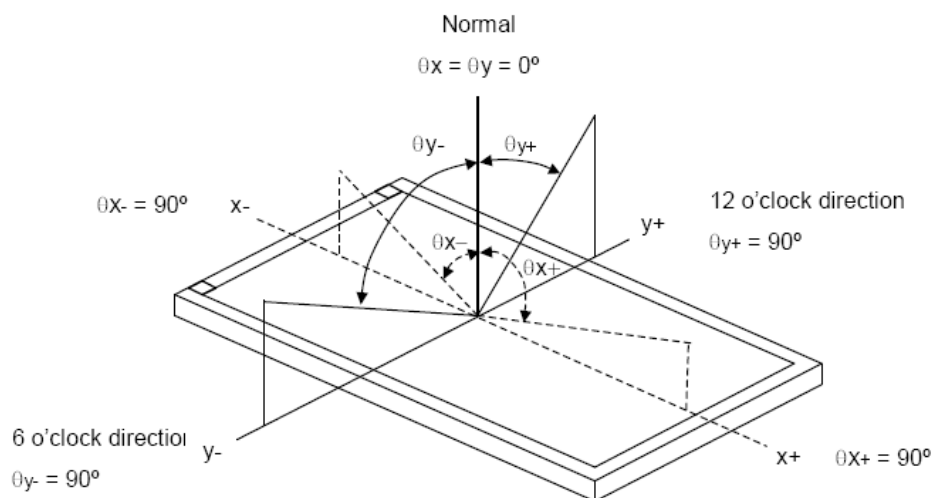
6.3. Definition of Contrast Ratio

Contrast is measured perpendicular to display surface in reflective and transmissive mode. The measurement condition is:

Measuring Equipment	Eldim or Equivalent
Measuring Point Diameter	3mm//1mm
Measuring Point Location	Active Area centre point
Test pattern	A: All Pixels white
	B: All Pixel black
Contrast setting	Maximum

Definitions: CR (Contrast) = Luminance of White Pixel / Luminance of Black Pixel

6.4. Definition of Viewing Angles



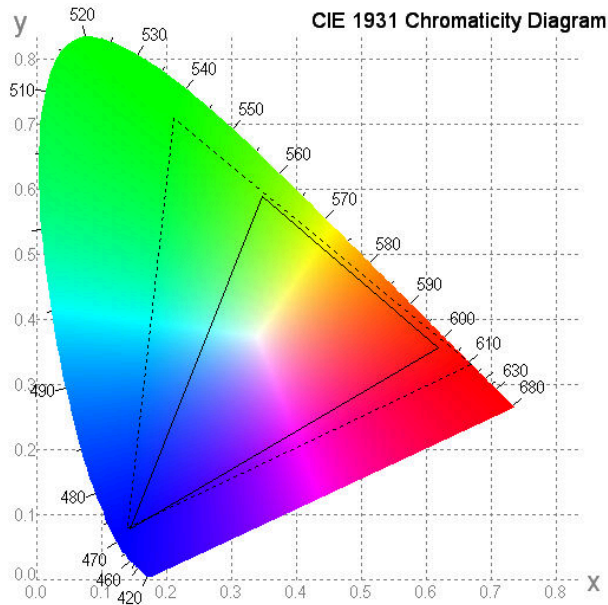
Measuring machine: LCD-5100 or EQUI

### 6.5. Definition of Color Appearance

R,G,B and W are defined by (x, y) on the IE chromaticity diagram

NTSC=area of RGB triangle/area of NTSC triangleX100%

Measuring picture: Red, Green, Blue and White (Measuring machine: BM-7)



### 6.6. Definition of Surface Luminance, Uniformity and Transmittance

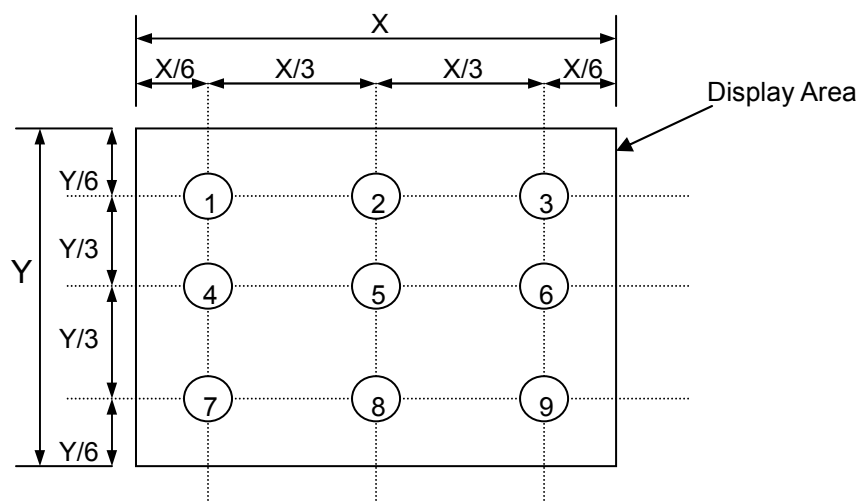
Using the transmissive mode measurement approach, measure the white screen luminance of the display panel and backlight.

6.6.1. Surface Luminance:  $L_V = \text{average} (L_{P1}:L_{P9})$

6.6.2. Uniformity = Minimal ( $L_{P1}:L_{P9}$ ) / Maximal ( $L_{P1}:L_{P9}$ ) \* 100%

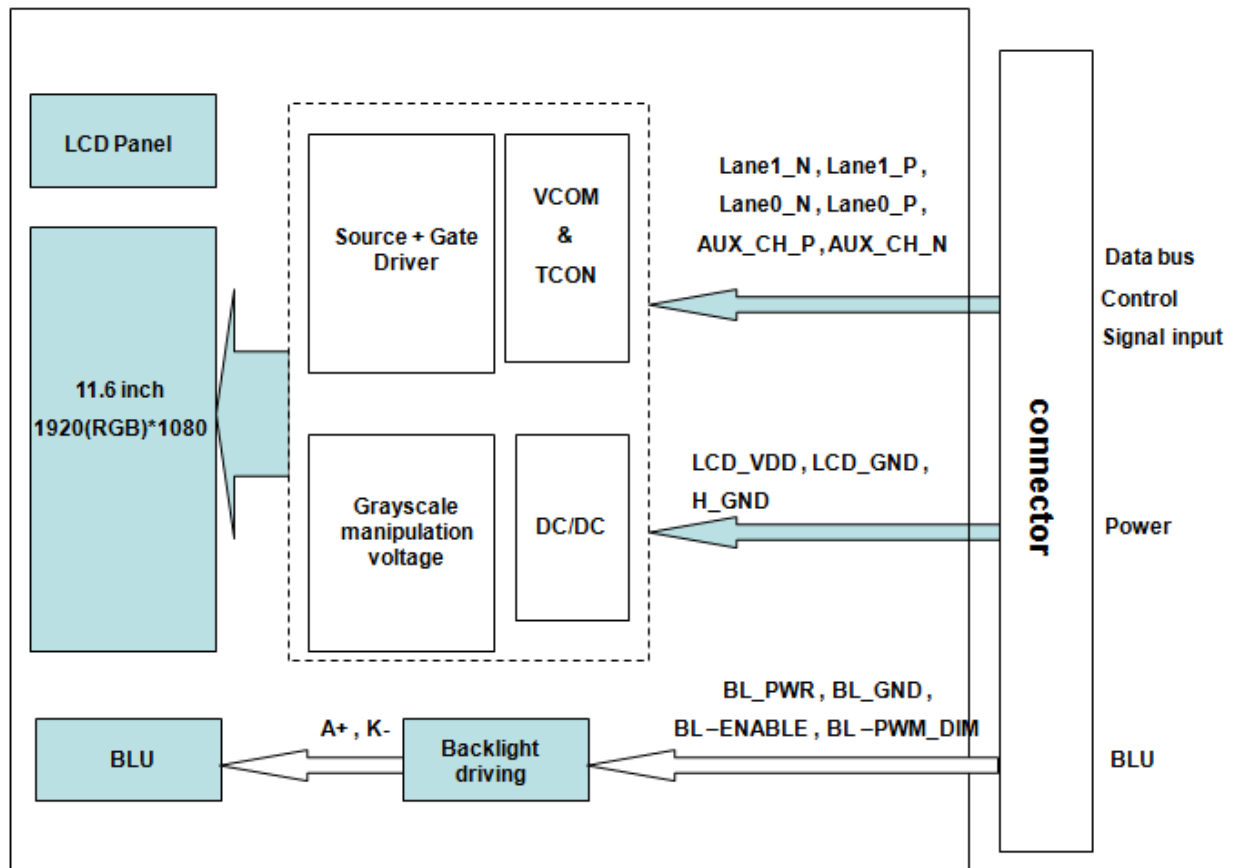
6.6.3. Transmittance =  $L_V$  on LCD /  $L_V$  on Backlight \* 100%

Note: Measuring machine: BM-7





## 7. Block Diagram and Power Supply

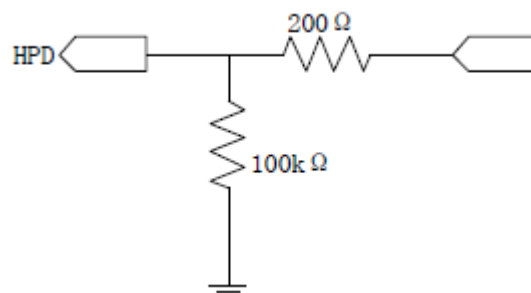


## 8. Interface Pins Definition

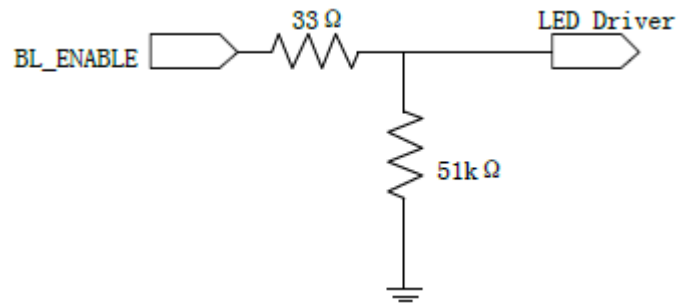
No.	Symbol	Function	Remark
1	NC	Reserved for LCD	NOTE1
2	H_GND	High Speed Ground	
3	Lane1_N	Complement Signal Link Lane 1	
4	Lane1_P	True Signal Link Lane 1	
5	H_GND	High Speed Ground	
6	Lane0_N	Complement Signal Link Lane 0	
7	Lane0_P	True Signal Link Lane 0	
8	H_GND	High Speed Ground	
9	AUX_CH_P	True Signal Auxiliary Channel	
10	AUX_CH_N	Complement Signal Auxiliary Channel	
11	H_GND	High Speed Ground	
12	LCD_VDD	LCD logic and driver power(3.3V)	
13	LCD_VDD	LCD logic and driver power(3.3V)	
14	NC	Reserved for LCD manufacturer's use	NOTE1
15	LCD_GND	LCD logic and driver ground	
16	LCD_GND	LCD logic and driver ground	
17	HPD	HPD signal pin	NOTE2
18	BL_GND	Backlight ground	
19	BL_GND	Backlight ground	
20	BL_GND	Backlight ground	
21	BL_GND	Backlight ground	
22	BL_ENABLE	Backlight ON/OFF	NOTE3
23	BL_PWM_DIM	System PWM	NOTE4
24	NC	No connection	
25	NC	No connection	
26	BL_PWR	Backlight power	
27	BL_PWR	Backlight power	
28	BL_PWR	Backlight power	
29	BL_PWR	Backlight power	
30	NC	No connection	

Note1: Do not input any signals or any powers into a NC pin. Keep the NC pin open.

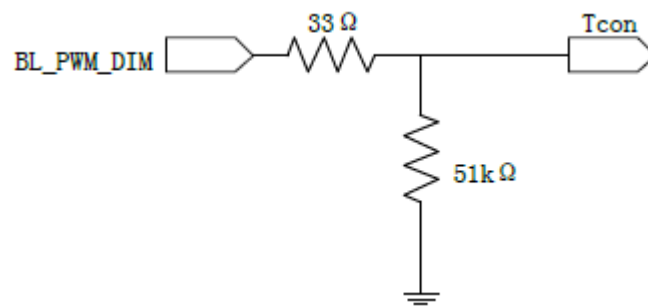
Note2: Output circuit is as below



Note3: Input circuit is as below

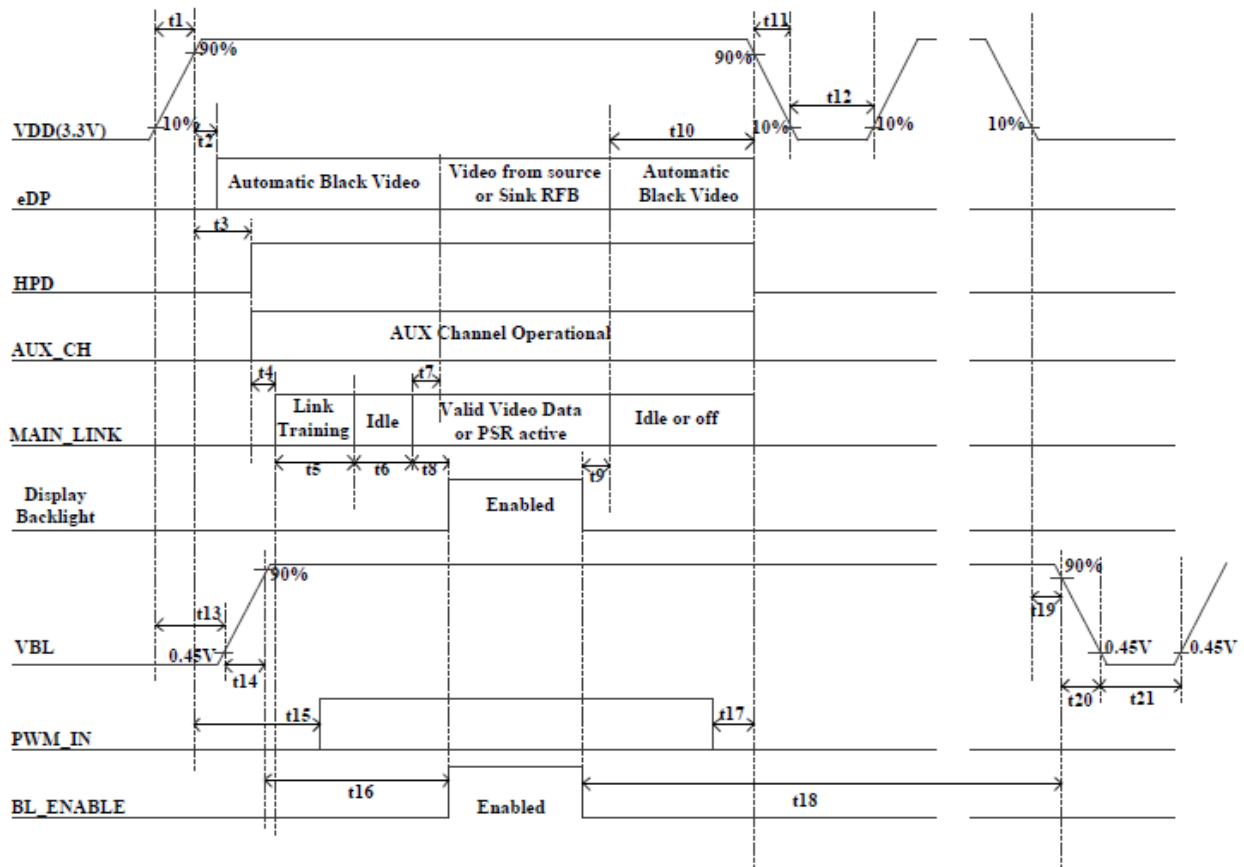


Note4: Input circuit is as below



## 9. AC Characteristics

### 1) ON-OFF conditions for supply voltage



[Note] Do not keep the interface signal high-impedance or unusual signal when power is on.

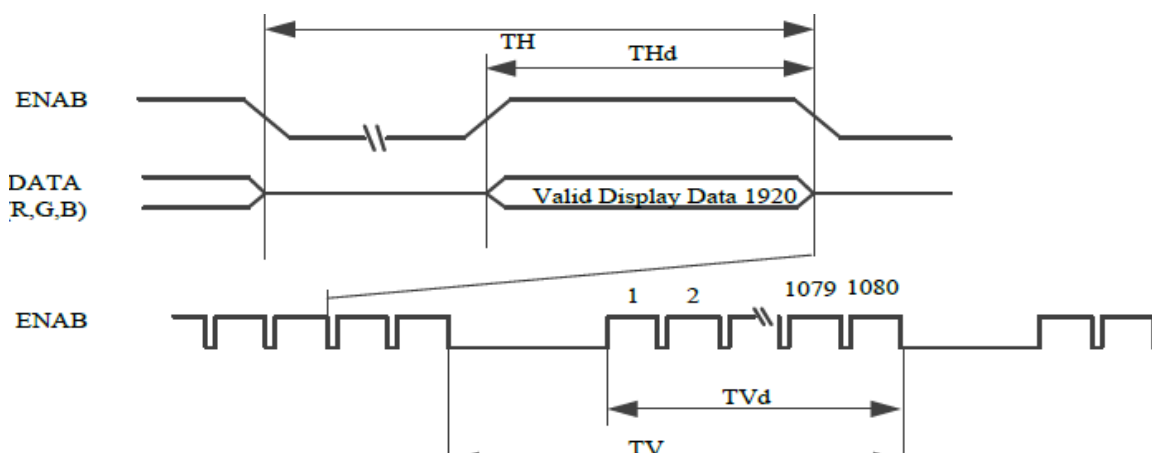
Symbol	Min	Max	Unit	Note
t1	(0.5)	(10)	ms	
t2	0	100	ms	
t3	0	(100)	ms	
(t4)	-	-	ms	
(t5)	-	-	ms	
(t6)	-	-	ms	
(t7)	(0)	(50)	ms	
(t8)			ms	
(t9)			ms	
(t10)	(0)	(500)	ms	
t11	(1)	50	ms	[Note1]
t12	500	-	ms	
(t13)	-	-	ms	
t14	0.5	10	ms	
t15	(100)		ms	
(t16)	-	-	ms	
t17	0	-	ms	
(t18)	-	-	ms	
t19	-	-	ms	
t20	(0.1)	-	ms	
t21	(100)		ms	

2) Timing Characteristics

VDD=+3.0V~+3.6, Ta=-10°C~+60°C

Parameter	Symbol	Min.	Typ.	Max.	Unit	Remark	
Clock	Frequency	-	138.5	-	MHz	[Note7-1-1]	
Data enable signal	Horizontal period	TH	-	2080	-	clock	
			-	15.02	-	μs	
	Horizontal period (High)	THd	-	1920	-	clock	
	Vertical period	TV	-	1111	-	line	
-			16.685	-	ms		
Vertical period (High)	TVd	-	1080	-	line		

Note: In case of using the long vertical period, the deterioration of display quality, flicker, etc, may occur.



---

## 10. Quality Assurance

### 10.1 Purpose

This standard for Quality Assurance assures the quality of LCD module products supplied to customer.

### 10.2 Standard for Quality Test

#### 10.2.1 Sampling Plan:

GB2828.1-2012

Single sampling, general inspection level II

#### 10.2.2 Sampling Criteria:

Visual inspection: AQL 1.5%

Electrical functional: AQL 0.65%.

#### 10.2.3 Reliability Test:

Detailed requirement refer to Reliability Test Specification.

### 10.3 Nonconforming Analysis & Disposition

#### 10.3.1 Nonconforming analysis:

10.3.1.1 Customer should provide overall information of non-conforming sample for their complaints.

10.3.1.2 After receipt of detailed information from customer, the analysis of nonconforming parts usually should be finished in one week.

10.3.1.3 If cannot finish the analysis on time, customer will be notified with the progress status.

#### 10.3.2 Disposition of nonconforming:

10.3.2.1 Non-conforming product over PPM level will be replaced.

10.3.2.2 The cause of non-conformance will be analyzed. Corrective action will be discussed and implemented.

### 10.4 Agreement Items

Shall negotiate with customer if the following situation occurs:

10.4.1 There is any discrepancy in standard of quality assurance.

10.4.2 Additional requirement to be added in product specification.

10.4.3 Any other special problem.

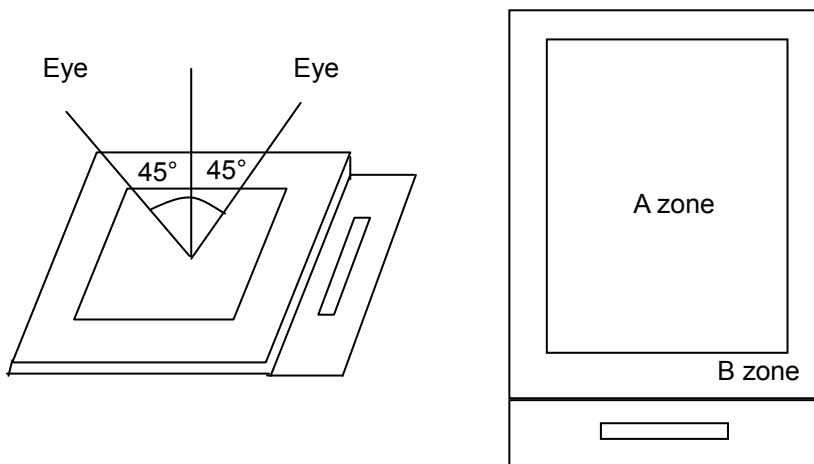
### 10.5 Standard of the Product Visual Inspection

#### 10.5.1 Appearance inspection:

10.5.1.1 The inspection must be under illumination about 1000 – 1500 lx, and the distance of view must be at 30cm ± 2cm.

10.5.1.2 The viewing angle should be 45° from the vertical line without reflection light or follows customer's viewing angle specifications.

10.5.1.3 Definition of area: A Zone: Active Area, B Zone: Viewing Area,

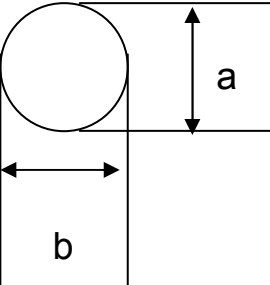


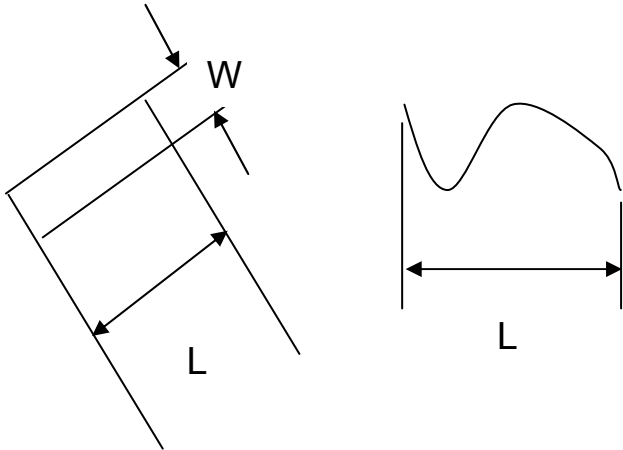
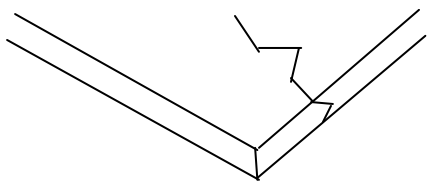
10.5.2 Basic principle:

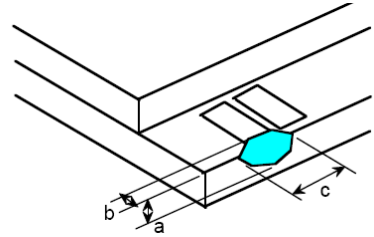
10.5.2.1 A set of sample to indicate the limit of acceptable quality level must be discussed by both us and customer when there is any dispute happened.

10.5.2.2 New item must be added on time when it is necessary.

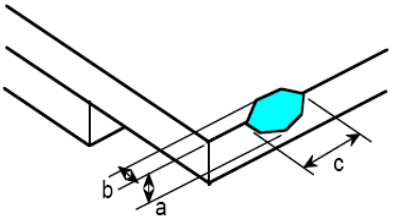
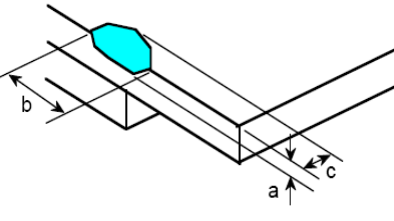
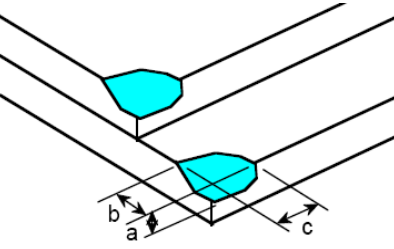
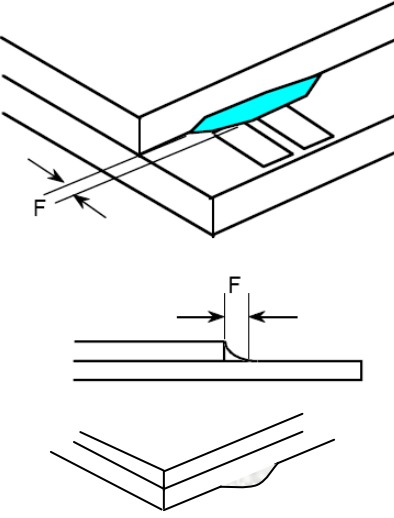
10.6 Inspection Specification

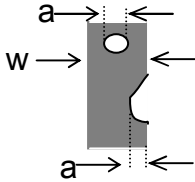
No.	Item	Criteria (Unit: mm)																
01	Black / White spot Foreign material (Round type) Pinholes Stain Particles inside cell. (Minor defect)	 <table border="1" data-bbox="911 1039 1410 1249"> <thead> <tr> <th>Size</th> <th>Area</th> <th>Acc. Qty</th> </tr> </thead> <tbody> <tr> <td><math>\phi \leq 0.20</math></td> <td></td> <td>Ignore</td> </tr> <tr> <td><math>0.20 &lt; \phi \leq 0.50</math></td> <td></td> <td><math>N \leq 3</math></td> </tr> <tr> <td><math>0.50 &lt; \phi</math></td> <td></td> <td>0</td> </tr> </tbody> </table> <p><math>\phi = (a + b) / 2</math></p> <p>Distance between 2 defects should more than 5mm apart.</p>	Size	Area	Acc. Qty	$\phi \leq 0.20$		Ignore	$0.20 < \phi \leq 0.50$		$N \leq 3$	$0.50 < \phi$		0				
Size	Area	Acc. Qty																
$\phi \leq 0.20$		Ignore																
$0.20 < \phi \leq 0.50$		$N \leq 3$																
$0.50 < \phi$		0																
02	Electrical Defect (Minor defect)	<table border="1" data-bbox="549 1473 1410 1731"> <tbody> <tr> <td rowspan="3">Bright dot</td> <td>Display Area</td> <td>Total</td> <td rowspan="3">Note1</td> </tr> <tr> <td><math>N \leq 2</math></td> <td><math>N \leq 2</math></td> </tr> <tr> <td>Dark dot</td> <td><math>N \leq 4</math></td> </tr> <tr> <td>Total dot</td> <td><math>N \leq 4</math></td> <td><math>N \leq 4</math></td> <td></td> </tr> <tr> <td>Mura</td> <td colspan="2"><b>Not visible through 5% ND filters.</b></td> <td>Note 2</td> </tr> </tbody> </table> <p>Remark: 1. Bright dot caused by scratch and foreign object accords to item 1.</p>	Bright dot	Display Area	Total	Note1	$N \leq 2$	$N \leq 2$	Dark dot	$N \leq 4$	Total dot	$N \leq 4$	$N \leq 4$		Mura	<b>Not visible through 5% ND filters.</b>		Note 2
Bright dot	Display Area	Total		Note1														
	$N \leq 2$	$N \leq 2$																
	Dark dot	$N \leq 4$																
Total dot	$N \leq 4$	$N \leq 4$																
Mura	<b>Not visible through 5% ND filters.</b>		Note 2															

<p>03</p>	<p>Black and White line Scratch Foreign material (Line type) (Minor defect)</p>	 <table border="1" data-bbox="606 705 1236 974"> <thead> <tr> <th>Length</th> <th>Width</th> <th>Acc. Qty</th> </tr> </thead> <tbody> <tr> <td>/</td> <td><math>W \leq 0.1</math></td> <td>Ignore</td> </tr> <tr> <td><math>L \leq 2.5</math></td> <td><math>0.1 &lt; W \leq 0.2</math></td> <td>3</td> </tr> <tr> <td><math>L &gt; 2.5</math></td> <td><math>0.2 &lt; W</math></td> <td>0</td> </tr> <tr> <td colspan="2">Total</td> <td>3</td> </tr> </tbody> </table> <p>Distance between 2 defects should more than 3mm apart. Scratches not viewable through the back of the display are acceptable.</p>	Length	Width	Acc. Qty	/	$W \leq 0.1$	Ignore	$L \leq 2.5$	$0.1 < W \leq 0.2$	3	$L > 2.5$	$0.2 < W$	0	Total		3
Length	Width	Acc. Qty															
/	$W \leq 0.1$	Ignore															
$L \leq 2.5$	$0.1 < W \leq 0.2$	3															
$L > 2.5$	$0.2 < W$	0															
Total		3															
<p>04</p>	<p>Glass Crack (Minor defect)</p>	 <p>Crack is potential to enlarge, any type is not allowed.</p>															

<p>05</p>	<p>Glass Chipping Pad Area: (Minor defect)</p> 	<table border="1" data-bbox="861 1657 1332 1836"> <thead> <tr> <th>Length and Width</th> <th>Acc. Qty</th> </tr> </thead> <tbody> <tr> <td><math>c &gt; 3.0, b &lt; 1.0</math></td> <td>1</td> </tr> <tr> <td><math>c &lt; 3.0, b &lt; 1.0</math></td> <td>3</td> </tr> <tr> <td colspan="2"><math>a &lt; \text{Glass Thickness}</math></td> </tr> </tbody> </table>	Length and Width	Acc. Qty	$c > 3.0, b < 1.0$	1	$c < 3.0, b < 1.0$	3	$a < \text{Glass Thickness}$	
Length and Width	Acc. Qty									
$c > 3.0, b < 1.0$	1									
$c < 3.0, b < 1.0$	3									
$a < \text{Glass Thickness}$										



<p>06</p>	<p>Glass Chipping Rear of Pad Area: (Minor defect)</p> 	<table border="1"> <thead> <tr> <th>Length and Width</th> <th>Acc. Qty</th> </tr> </thead> <tbody> <tr> <td><math>c &gt; 3.0, b &lt; 1.0</math></td> <td>1</td> </tr> <tr> <td><math>c &lt; 3.0, b &lt; 1.0</math></td> <td>2</td> </tr> <tr> <td><math>c &lt; 3.0, b &lt; 0.5</math></td> <td>4</td> </tr> <tr> <td colspan="2" style="text-align: center;"><math>a &lt; \text{Glass Thickness}</math></td> </tr> </tbody> </table>	Length and Width	Acc. Qty	$c > 3.0, b < 1.0$	1	$c < 3.0, b < 1.0$	2	$c < 3.0, b < 0.5$	4	$a < \text{Glass Thickness}$	
Length and Width	Acc. Qty											
$c > 3.0, b < 1.0$	1											
$c < 3.0, b < 1.0$	2											
$c < 3.0, b < 0.5$	4											
$a < \text{Glass Thickness}$												
<p>07</p>	<p>Glass Chipping Except Pad Area: (Minor defect)</p> 	<table border="1"> <thead> <tr> <th>Length and Width</th> <th>Acc. Qty</th> </tr> </thead> <tbody> <tr> <td><math>c &gt; 3.0, b &lt; 1.0</math></td> <td>1</td> </tr> <tr> <td><math>c &lt; 3.0, b &lt; 1.0</math></td> <td>2</td> </tr> <tr> <td><math>c &lt; 3.0, b &lt; 0.5</math></td> <td>4</td> </tr> <tr> <td colspan="2" style="text-align: center;"><math>a &lt; \text{Glass Thickness}</math></td> </tr> </tbody> </table>	Length and Width	Acc. Qty	$c > 3.0, b < 1.0$	1	$c < 3.0, b < 1.0$	2	$c < 3.0, b < 0.5$	4	$a < \text{Glass Thickness}$	
Length and Width	Acc. Qty											
$c > 3.0, b < 1.0$	1											
$c < 3.0, b < 1.0$	2											
$c < 3.0, b < 0.5$	4											
$a < \text{Glass Thickness}$												
<p>08</p>	<p>Glass Corner Chipping: (Minor defect)</p> 	<table border="1"> <thead> <tr> <th>Length and Width</th> <th>Acc. Qty</th> </tr> </thead> <tbody> <tr> <td><math>c &lt; 3.0, b &lt; 3.0</math></td> <td>Ignore</td> </tr> <tr> <td colspan="2" style="text-align: center;"><math>a &lt; \text{Glass Thickness}</math></td> </tr> </tbody> </table>	Length and Width	Acc. Qty	$c < 3.0, b < 3.0$	Ignore	$a < \text{Glass Thickness}$					
Length and Width	Acc. Qty											
$c < 3.0, b < 3.0$	Ignore											
$a < \text{Glass Thickness}$												
<p>09</p>	<p>Glass Burr: (Minor defect)</p> 	<table border="1"> <thead> <tr> <th>Length</th> <th>Acc. Qty</th> </tr> </thead> <tbody> <tr> <td><math>F &lt; 1.0</math></td> <td>Ignore</td> </tr> </tbody> </table> <p>Glass burr don't affect assemble and module dimension.</p>	Length	Acc. Qty	$F < 1.0$	Ignore						
Length	Acc. Qty											
$F < 1.0$	Ignore											

10	<p>FPC Defect: (Minor defect)</p> 	<p>10.1 Dent, pinhole width <math>a &lt; w/3</math>. (w: circuitry width.) 10.2 Open circuit is unacceptable. 10.3 No oxidation, contamination and distortion.</p>								
11	Bubble on Polarizer (Minor defect)	<table border="1" data-bbox="737 593 1206 766"> <thead> <tr> <th>Diameter</th> <th>Acc. Qty</th> </tr> </thead> <tbody> <tr> <td><math>\varphi \leq 0.30</math></td> <td>Ignore</td> </tr> <tr> <td><math>0.30 &lt; \varphi \leq 0.50</math></td> <td><math>N \leq 2</math></td> </tr> <tr> <td><math>0.50 &lt; \varphi</math></td> <td><math>N=0</math></td> </tr> </tbody> </table>	Diameter	Acc. Qty	$\varphi \leq 0.30$	Ignore	$0.30 < \varphi \leq 0.50$	$N \leq 2$	$0.50 < \varphi$	$N=0$
Diameter	Acc. Qty									
$\varphi \leq 0.30$	Ignore									
$0.30 < \varphi \leq 0.50$	$N \leq 2$									
$0.50 < \varphi$	$N=0$									
12	Dent on Polarizer (Minor defect)	<table border="1" data-bbox="737 835 1206 1008"> <thead> <tr> <th>Diameter</th> <th>Acc. Qty</th> </tr> </thead> <tbody> <tr> <td><math>\varphi \leq 0.25</math></td> <td>Ignore</td> </tr> <tr> <td><math>0.25 &lt; \varphi \leq 0.50</math></td> <td><math>N \leq 4</math></td> </tr> <tr> <td><math>0.50 &lt; \varphi</math></td> <td>None</td> </tr> </tbody> </table>	Diameter	Acc. Qty	$\varphi \leq 0.25$	Ignore	$0.25 < \varphi \leq 0.50$	$N \leq 4$	$0.50 < \varphi$	None
Diameter	Acc. Qty									
$\varphi \leq 0.25$	Ignore									
$0.25 < \varphi \leq 0.50$	$N \leq 4$									
$0.50 < \varphi$	None									
13	Bezel	<p>13.1 No rust, distortion on the Bezel. 13.2 No visible fingerprints, stains or other contamination.</p>								
14	Touch Panel	<p>D: Diameter W: width L: length 14.1 Spot: <math>D &lt; 0.25</math> is acceptable <math>0.25 \leq D \leq 0.4</math> 2dots are acceptable and the distance between defects should more than 10 mm. <math>D &gt; 0.4</math> is unacceptable 14.2 Dent: <math>D &gt; 0.40</math> is unacceptable 14.3 Scratch: <math>W \leq 0.03</math>, <math>L \leq 10</math> is acceptable, <math>0.03 &lt; W \leq 0.10</math>, <math>L \leq 10</math> is acceptable Distance between 2 defects should more than 10 mm. <math>W &gt; 0.10</math> is unacceptable.</p>								
15	PCB	<p>15.1 No distortion or contamination on PCB terminals. 15.2 All components on PCB must same as documented on the BOM/component layout. 15.3 Follow IPC-A-600F.</p>								
16	Soldering	Follow IPC-A-610C standard								

17	Electrical Defect (Major defect)	<p>The below defects must be rejected.</p> <p>17.1 Missing vertical / horizontal segment, 17.2 Abnormal Display. 17.3 No function or no display. 17.4 Current exceeds product specifications. 17.5 LCD viewing angle defect. 17.6 No Backlight. 17.7 Dark Backlight. 17.8 Touch Panel no function.</p>
----	-------------------------------------	--

Remark: LCD Panel Broken shall be rejected. Defect out of LCD viewing area is acceptable.

### 10.7 Classification of Defects

10.7.1 Visual defects (Except no / wrong label) are treated as minor defect and electrical defect is major.

10.7.2 Two minor defects are equal to one major in lot sampling inspection.

### 10.8 Identification/marketing criteria

Any unit with illegible / wrong /double or no marking/ label shall be rejected.

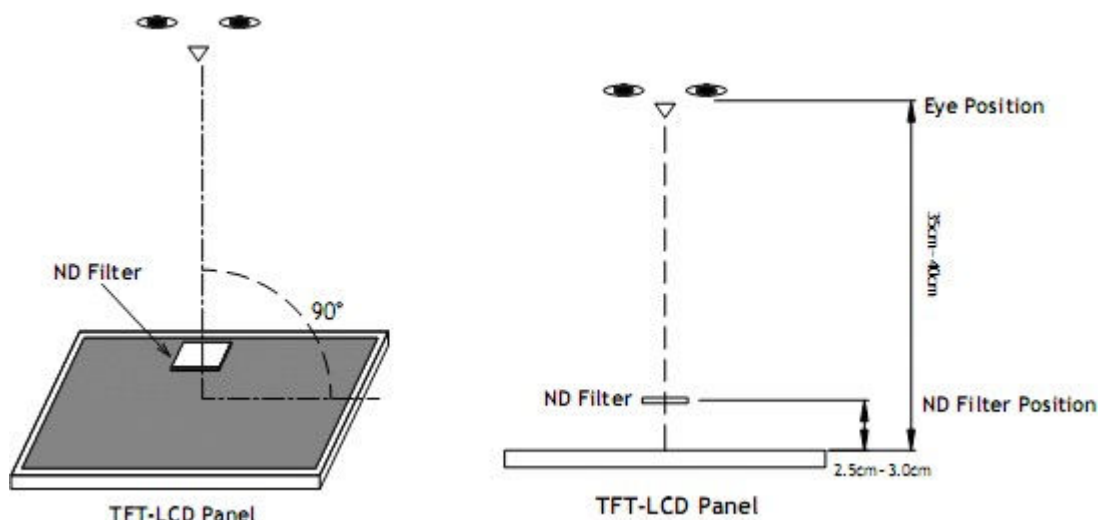
### 10.9 Packaging

10.9.1 There should be no damage of the outside carton box, each packaging box should have one identical label.

10.9.2 Modules inside package box should have compliant mark.

10.9.3 All direct package materials shall offer ESD protection

**Note1:** Bright dot is defined as the defective area of the dot is larger than 50% of one sub-pixel area.



**Bright dot:** The bright dot size defect at black display pattern. It can be recognized by 2% transparency of filter when the distance between eyes and panel is  $350\text{mm} \pm 50\text{mm}$ .

**Dark dot:** Cyan, Magenta or Yellow dot size defect at white display pattern. It can be recognized by 5% transparency of filter when the distance between eyes and panel is  $350\text{mm} \pm 50\text{mm}$ .

**Note2:** Mura on display which appears darker / brighter against background brightness on parts of display area.

**11. Reliability Specification**

No	Item	Condition	Quantity	Criteria
1	High Temperature Operating	<b>60°C, 96Hrs</b>	2	GB/T2423.2-2008
2	Low Temperature Operating	<b>-10°C, 96Hrs</b>	2	GB/T2423.1-2008
3	High Humidity	<b>40°C, 90%RH, 96Hrs</b>	2	GB/T2423.3-2006
4	High Temperature Storage	<b>20°C, 96Hrs</b>	2	GB/T2423.2-2008
5	Low Temperature Storage	<b>-70°C, 96Hrs</b>	2	GB/T2423.1-2008
6	Thermal Cycling Test	-10°C, 60min~60°C, 60min, 20 cycles.	2	GB/T2423.22-2012
7	Packing vibration	Frequency range:10Hz~50Hz Acceleration of gravity:5G X,Y,Z 30 min for each direction.	2	GB/T5170.14-2009
8	Drop Test (Packaged)	Height:80 cm,1 corner, 3 edges, 6 surfaces.	2	GB/T2423.8-1995

Note1. No deflection cosmetic and operational function allowable.

Note2. Total current Consumption should be below double of initial value

## 12. Precautions and Warranty

### 12.1. Safety

12.1.1 The liquid crystal in the LCD is poisonous. Do not put it in your mouth. If the liquid crystal touches your skin or clothes, wash it off immediately using soap and water.

12.1.2 Since the liquid crystal cells are made of glass, do not apply strong impact on them. Handle with care.

### 12.2. Handling

12.2.1 Reverse and use within ratings in order to keep performance and prevent damage.

12.2.2 Do not wipe the polarizer with dry cloth, as it might cause scratch. If the surface of the LCD needs to be cleaned, wipe it swiftly with cotton or other soft cloth soaked with petroleum IPA, do not use other chemicals.

### 12.3. Storage

12.3.1. Do not store the LCD module beyond the specified temperature ranges.

12.3.2. Strong light exposure causes degradation of polarizer and color filter

### 12.4. Metal Pin (Apply to Products with Metal Pins)

#### 12.4.1 Pins of LCD and Backlight

12.4.1.1 Solder tip can touch and press on the tip of Pin LEAD during the soldering

12.4.1.2 Recommended Soldering Conditions

Solder Type: Sn96.3~94-Ag3.3~4.3-Cu0.4~1.1

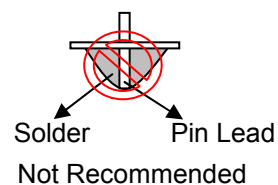
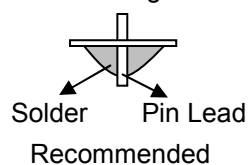
Maximum Solder Temperature: 370℃

Maximum Solder Time: 3s at the maximum temperature

Recommended Soldering Temp: 350±20℃

Typical Soldering Time: ≤3s

12.4.1.3 Solder Wetting



#### 12.4.2 Pins of EL

12.4.2.1 Solder tip can touch and press on the tip of EL leads during soldering.

12.4.2.2 No Solder Paste on the soldering pad on the motherboard is recommended.

12.4.2.3 Recommended Soldering Conditions

Solder type: Nippon Alimit Leadfree SR-34, size 0.5mm

Recommended Solder Temperature: 270~290℃

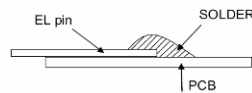
Typical Soldering Time: ≤2s

Minimum solder distance from EL lamp (body): 2.0mm

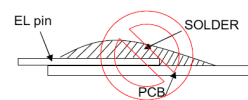
12.4.2.4 No horizontal press on the EL leads during soldering.

12.4.2.5 180° bend EL leads three times is not allowed.

#### 12.4.2.6 Solder Wetting

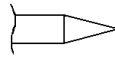


Recommended

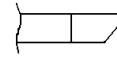


Not Recommended

#### 12.4.2.7 The type of the solder iron:

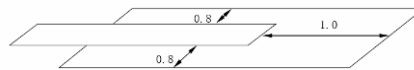


Recommended



Not Recommended

#### 12.4.2.8 Solder Pad



### 12.5.Operation

- 12.5.1. Do not drive LCD with DC voltage
- 12.5.2. Response time will increase below lower temperature
- 12.5.3. Display may change color with different temperature
- 12.5.4. Mechanical disturbance during operation, such as pressing on the display area, may cause the segments to appear "fractured".
- 12.5.5. Do not connect or disconnect the LCM to or from the system when power is on.
- 12.5.6. Never use the LCM under abnormal condition of high temperature and high humidity.
- 12.5.7. Module has high frequency circuits. Sufficient suppression to the electromagnetic interface shall be done by system manufacturers. Grounding and shielding methods may be important to minimize the interference.
- 12.5.8. Do not display the fixed pattern for long time (we suggest the time not longer than one hour) because it may develop image sticking due to the TFT structure.

### 12.6.Static Electricity

- 12.5.1 CMOS LSIs are equipped in this unit, so care must be taken to avoid the electro-static charge, by ground human body, etc.
- 12.5.2 The normal static prevention measures should be observed for work clothes and benches.
- 12.5.3 The module should be kept into anti-static bags or other containers resistant to static for storage.

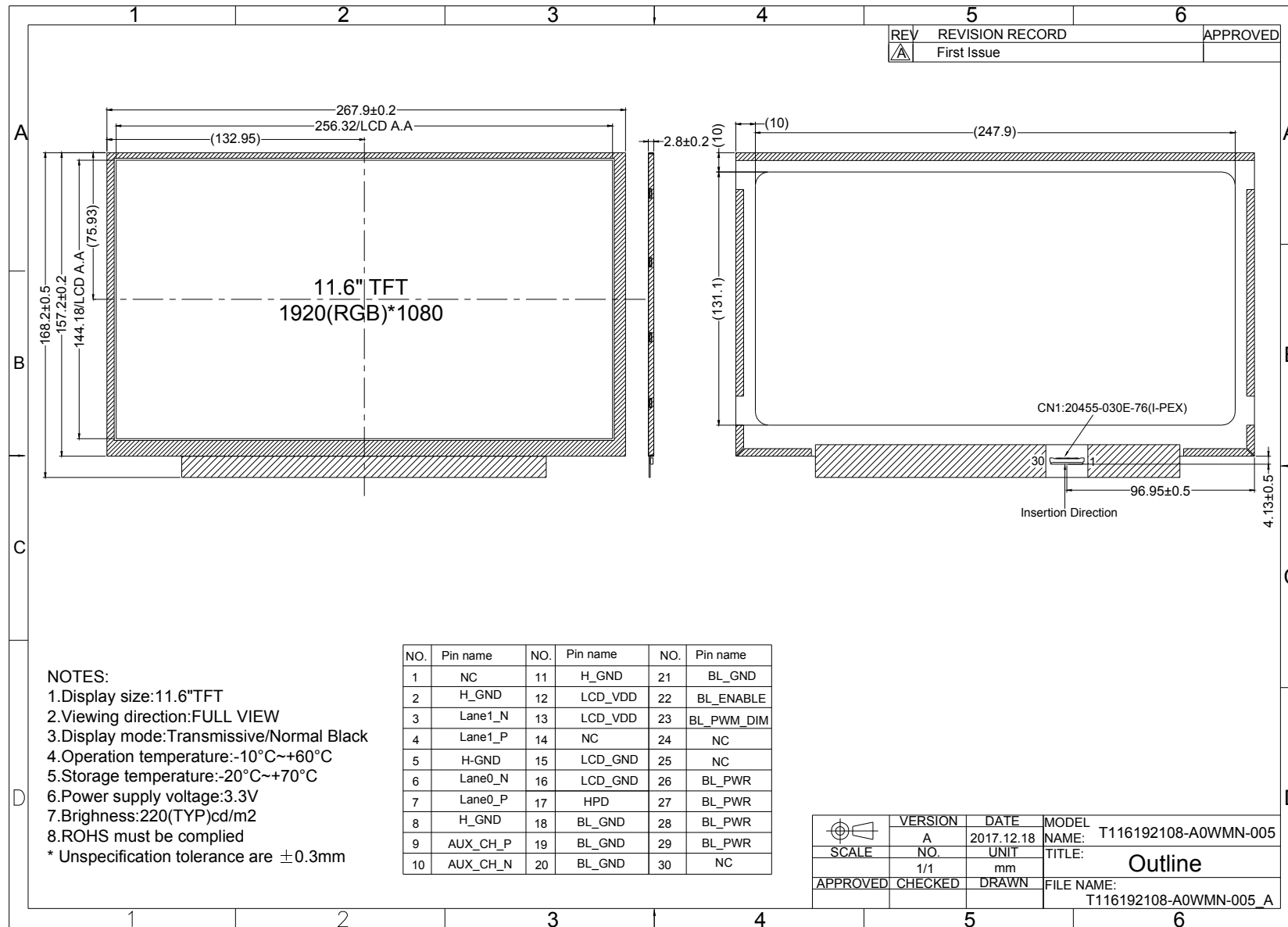
### 12.7.Limited Warranty

- 12.7.1 Our warranty liability is limited to repair and/or replacement. We will not be responsible for any consequential loss.
- 12.7.2 If possible, we suggest customer to use up all modules in six months. If the module storage time over twelve months, we suggest that recheck it before the module be used.
- 12.7.3 After the product shipped, any product quality issues must be feedback within three months, otherwise, we will not be responsible for the subsequent or consequential events.

### **13. Packaging**

TBD

24/24



14. Outline Drawing

T116192108-A0WMN-005  
Rev:1.1